



ISO-9001
Certified Company
FN1537405



ADVANCE PRODUCTS & SYSTEMS

FOREMAN NIGHT CAPS

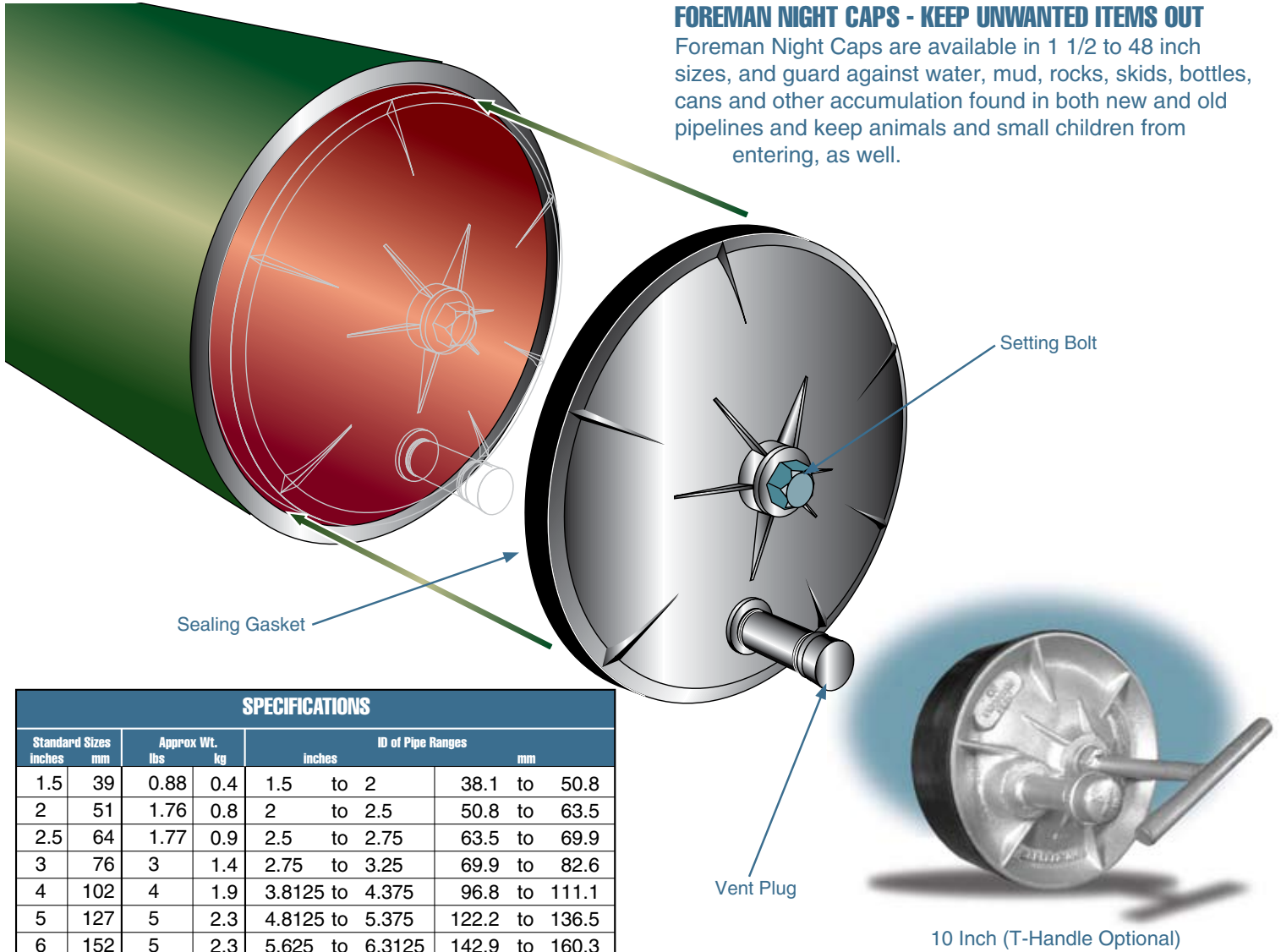
Keep unwanted guests out of your pipe.



NIGHT CAPS

FOREMAN NIGHT CAPS - KEEP UNWANTED ITEMS OUT

Foreman Night Caps are available in 1 1/2 to 48 inch sizes, and guard against water, mud, rocks, skids, bottles, cans and other accumulation found in both new and old pipelines and keep animals and small children from entering, as well.



SPECIFICATIONS						
Standard Sizes		Approx. Wt.		ID of Pipe Ranges		
inches	mm	lbs	kg	inches	mm	
1.5	39	0.88	0.4	1.5 to 2	38.1 to 50.8	
2	51	1.76	0.8	2 to 2.5	50.8 to 63.5	
2.5	64	1.77	0.9	2.5 to 2.75	63.5 to 69.9	
3	76	3	1.4	2.75 to 3.25	69.9 to 82.6	
4	102	4	1.9	3.8125 to 4.375	96.8 to 111.1	
5	127	5	2.3	4.8125 to 5.375	122.2 to 136.5	
6	152	5	2.3	5.625 to 6.3125	142.9 to 160.3	
8	203	7	3.2	7.6875 to 8.375	195.3 to 212.7	
10	254	10	4.6	9.625 to 10.25	244.5 to 260.4	
12	305	16	7.3	11.75 to 12.375	298.5 to 314.3	
14	356	16	7.3	13.25 to 13.75	336.6 to 349.3	
16	406	20	9.1	15.25 to 15.75	387.4 to 400.1	
18	457	24	10.9	17.25 to 17.75	438.2 to 450.9	
20	508	32	14.6	19.25 to 19.75	489.0 to 501.7	
22	559	37	16.8	21.25 to 21.75	539.8 to 552.5	
24	610	40	18.2	23.25 to 23.75	590.6 to 603.3	
26	660	45	20.5	25.25 to 25.75	641.4 to 654.1	
28	711	58	26.4	27.25 to 27.75	692.2 to 704.9	
30	762	67	30.4	29.25 to 29.75	743.0 to 755.7	
34	864	100	45.4	33.25 to 33.75	844.6 to 857.3	
36	914	110	49.9	35.25 to 35.75	895.4 to 908.1	
40	1016	125	56.7	39.25 to 39.75	997.0 to 1009.7	
42	1067	135	61.3	40.875 to 41.375	1038.2 to 1050.9	
48	1219	170	77.2	47.25 to 47.75	1200.2 to 1212.9	

LIGHTWEIGHT AND EASY TO INSTALL

Because Foreman Night Caps are made of lightweight metal, one man can install a 30 inch model without assistance. A few turns of a single bolt forces disc plates together, pressing a rubber gasket against pipe walls as a barrier to unwanted items. Night Caps, however, are not pressure-holding devices.

ECONOMICAL

Foreman Night Caps out-perform inefficient caps, sacks, sheet iron plates and canvas covers, and are reusable indefinitely. Replacement parts such as gaskets and other components are available.

NIGHT CAPS

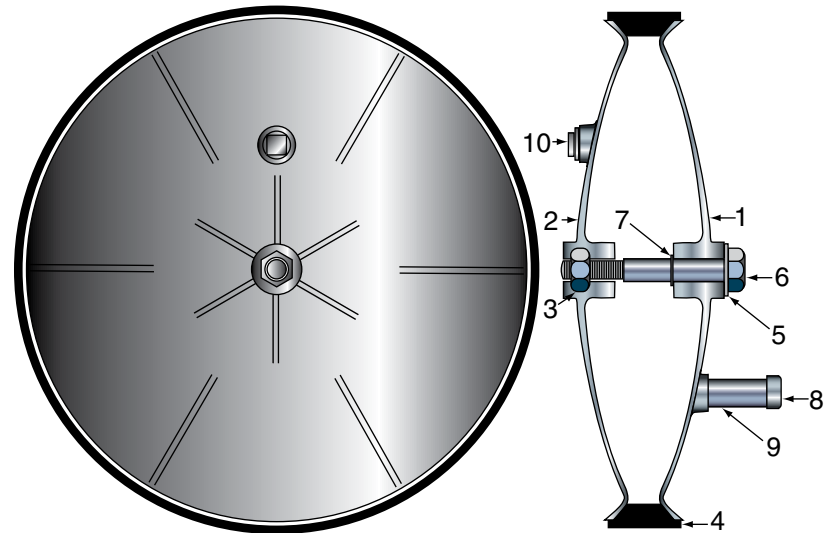


Venting plugs are standard features on all but the smallest Foreman Night Caps and are used to relieve the pipe of any naturally occurring pressure buildup.

PARTS LIST		
Item No.	Description	No. Required
1	Outer Disc	1
2	Inner Disc with 1 Inch Nut	1
3	Hex Nut Cast into Item 2	1
4	Rubber Gasket	1
5	Steel and Fiber Washers	1
6	Hex-Head Bolt	1
7	Retaining Ring for Bolt	1
8	Pipe Cap	1
9	Pipe Nipple	1
10	Pipe Plug	1



12 Inch



SDR SIZE PIPE SPECIFICATIONS					
Standard Sizes		Approx. Wt.		ID of Pipe Ranges	
inches	mm	lbs	kg	inches	mm
16	406	20	9.1	16.5 to 17	419.1 to 431.8
18	457	28	12.8	18.5 to 19	469.9 to 482.6
20	508	37	16.8	20.5 to 21	520.7 to 533.4
22	559	42	19.1	22.5 to 23	571.5 to 584.2
24	610	46	20.9	24.5 to 25	622.3 to 635.0
26	660	51	23.2	26.5 to 27	673.1 to 685.8
28	711	65	29.5	28.5 to 29	723.9 to 736.6
30	762	74	33.6	30.5 to 31	774.7 to 787.4
34	864	108	49.0	34.5 to 35	876.3 to 889.0
36	914	118	53.6	36.5 to 37	927.1 to 939.8
40	1016	134	60.8	40.5 to 41	1028.7 to 1041.4
42	1067	145	65.8	42.5 to 43	1079.5 to 1092.2
48	1219	181	82.2	48.5 to 49	1231.9 to 1244.6

RUGGED

Field tested by major companies and practical pipeliners, Foreman Night Caps have been proven both durable and long-lasting. The rubber used on the Night Caps can withstand a temperature range from -40° to 260° F. These Night Caps can also be vented when desirable.

WIDER RANGE OF PIPE IDs

Now covering a wider range of pipe ID's, Night Caps can be used for most 1/2" thick casings; as well as, other casings like SDR pipes or even metric. All of these are possible with the addition of a new rubber extrusion from APS. Check tables for details.

OTHER QUALITY PRODUCTS AVAILABLE

- Kleerband[®] Flange Protectors
- Radolid[®] Nut Protection Caps
- Casing Insulators and End Seals
- Innerlynx[®] - Modular Mechanical Seals
- IsoJoint[®] - Monolithic Isolators
- Inspect-A-Lift[®] - Adjustable Pipe Support System
- Standard Isolating Gasket Kits
- Integra SSA[®] - Cathodic Isolation Gaskets
- GAL-VO-PLAST[®] Wall Sleeves
- U-Bolt Cote[®]
- Safety Spray Shields

BSI Management
Systems America, Inc.

ISO 9001:2000
REGISTERED
COMPANY

CERTIFICATE # FM 537405

FORMERLY QMI # 1041990



ADVANCE PRODUCTS & SYSTEMS, INC.

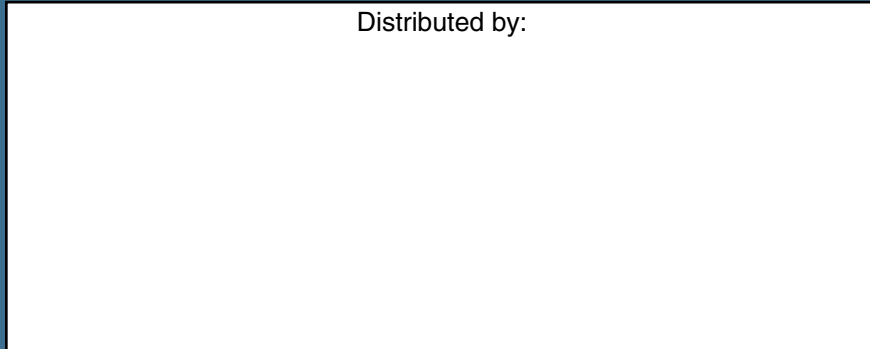
PO Box 60399 • Lafayette, Louisiana 70596-0399

800-315-6009 • 337-233-6116 • FAX 337-232-3860

E-Mail: sales@apsonline.com • Website: www.apsonline.com

Note: Please contact your distributor or the factory for prices.

Distributed by:



APS Warranty and Return Policy

The customer is responsible for requesting an RMA in written form; either through e-mail or fax, unless otherwise noted. The customer will incur the cost of return freight. No credit is allowed on outgoing freight. A request for return of material must be submitted within 90 days from the invoice date. All hardware/components must be included and returned to APS within 30 days of the RMA issuance to qualify for credit. The returned product/products must be shipped in clean "re-sellable" condition, accompanied by all RMA paperwork including APS RMA labels affixed to the returned products packaging, or the return will not be accepted by APS receiving department and credit will not be issued. Credit will be determined upon the actual count and inspection by APS' receiving department. Credit allowed towards future purchases only **must be** used within one year of date of credit being issued. APS reserves the right to refuse credit for custom orders.

The above warranty is made in lieu of, and APS disclaims any and all other warranties expressed or implied, including the warranties of merchantability and fitness for a particular purpose and buyer agrees to accept the products without any such warranties.

APS hereby disclaims any obligation or liability for consequential damages, labor costs or any other claims or liabilities of any kind whatsoever.

Advance Products & Systems, Inc. is not responsible for errors printed in this brochure.